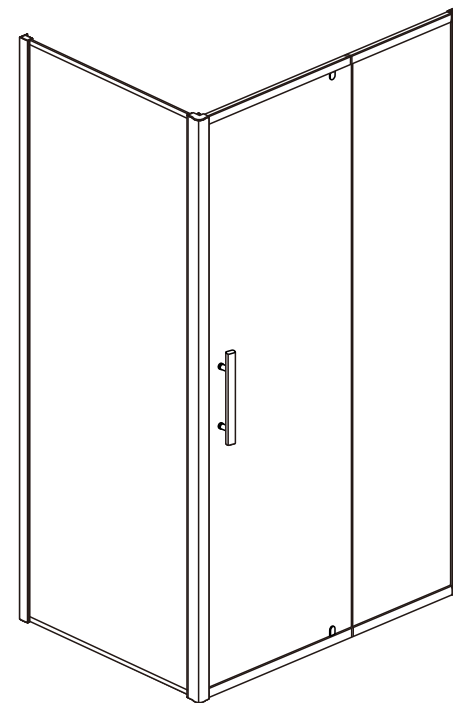


INSTALLATION INSTRUCTIONS

SF1231D/900

SF1231D/1000

SF1231D/1200



◆ General Information

Please inspect the product immediately upon receipt for transit damage, missing packs/parts or manufacturing fault. Damage reported later cannot be accepted. Please handle the product with care avoiding knocks and shock loading to all sides and edges of the glass.

Notes: Safety glass can not be re-worked.

Please read these instructions carefully before start of installation.

Special care should be taken when drilling walls to avoid hidden pipes or electrical cables.

Note: This product is heavy and may require two people to install.

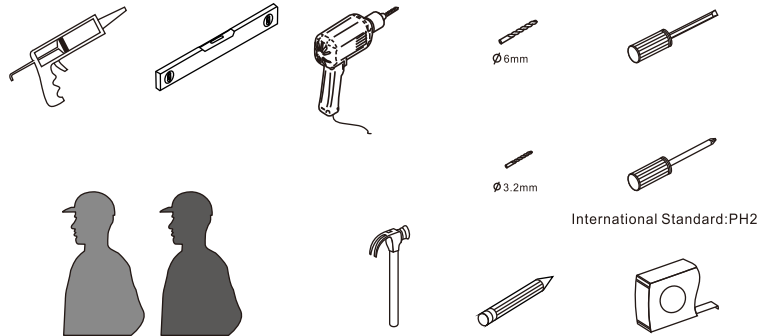
Aftercare instructions

After use, your shower should be cleaned with soap and water. This is particularly important in hard water districts where insoluble lime salts may be deposited and allowed to build up. Cleaners of a gritty or abrasive nature should not be used. Care should be taken to avoid contact with strong chemicals such as organic solvents and strippers.

Glass cleaners can be used but with caution, if in doubt contact the manufacturer of the cleaner in question.

Please keep these instructions for aftercare and customer service details.

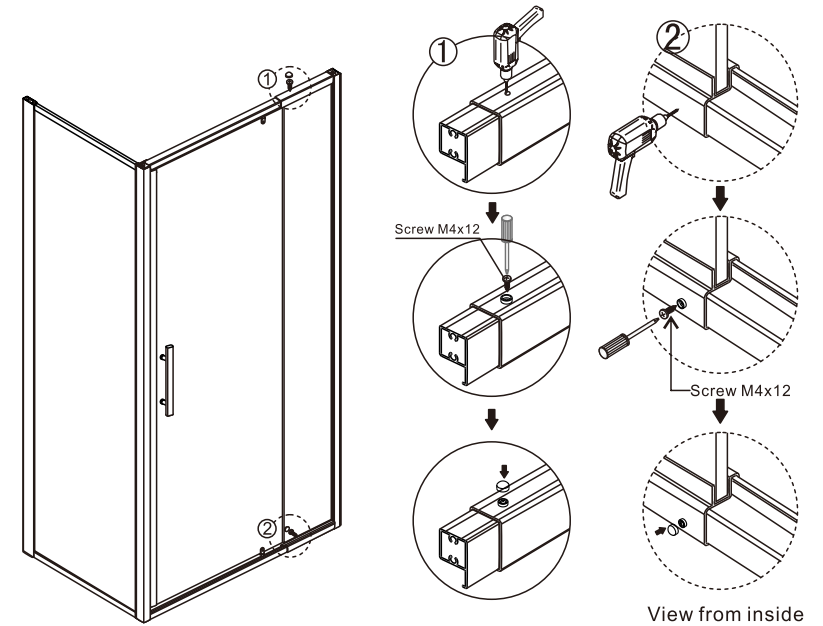
Tools Required



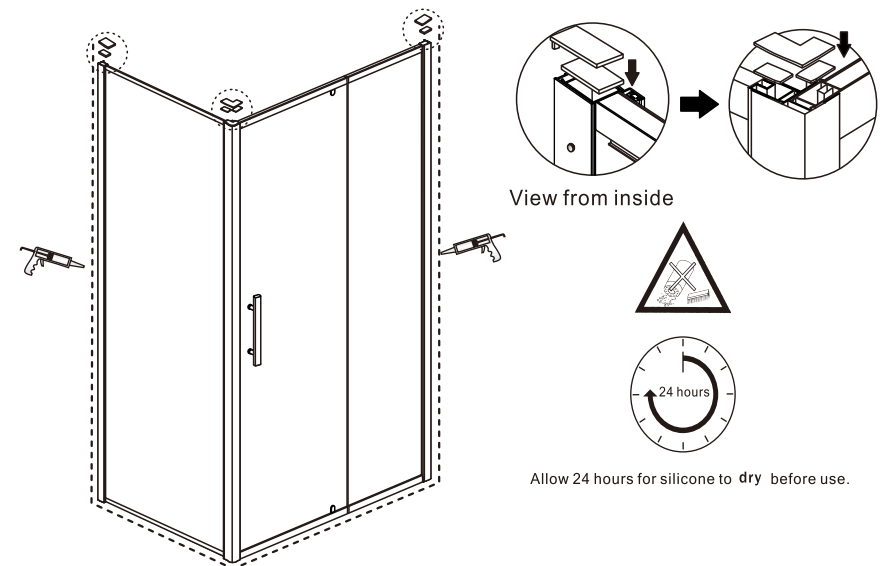
This product is heavy and may require two people to install.



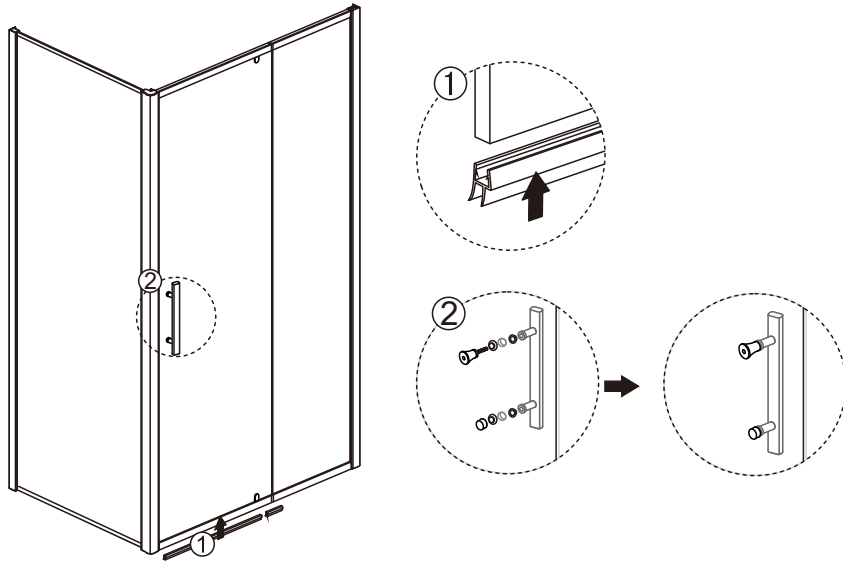
Step 5



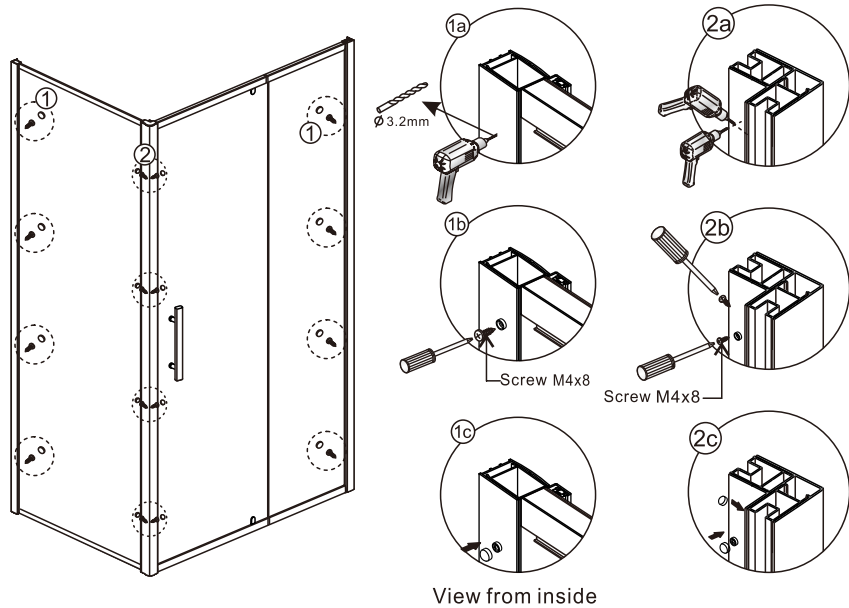
Step 6



Step 3



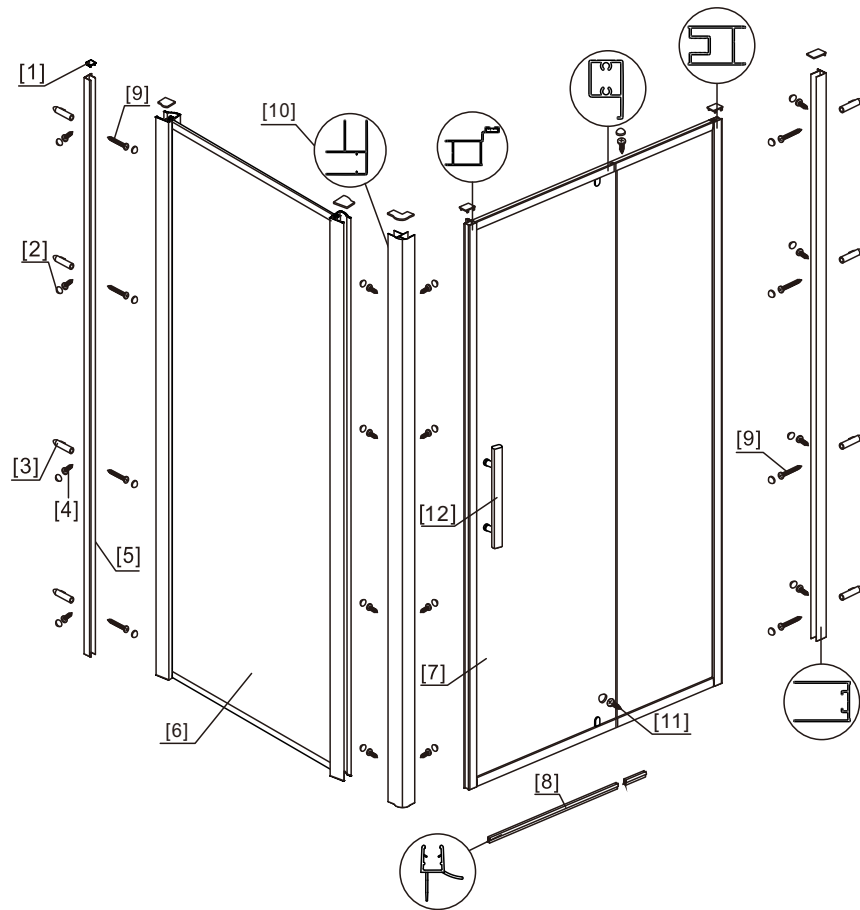
Step 4



◆ Box Contents:

[1] 1xInstallation Instruction.	➔	
[2] 7xProfile Covers.	➔	
[3] 8xWall Plugs. 8xRound Screws M4x35.	➔	
[4] 16xScrews M4x8. 2xScrews M4x12. 18xScrew Cover Caps.	➔	
[5] 1xHandle Set.	➔	
[6] 2xWater Deflectors.	➔	
[7] 2xWall Posts.	➔	
[8] 1xDoor Panel.	➔	
[9] 1xCorner Post	➔	
[10] 1xSide Panel	➔	

◆ Assembly Drawing

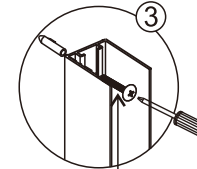
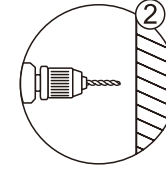
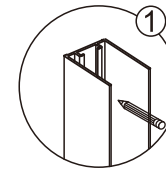


- [1] 7xProfile Covers
- [2] 18xScrew Cover Caps
- [3] 8xWall Plugs
- [4] 8xScrews M4x8
- [5] 2xWall Posts
- [6] 1xSide Panel

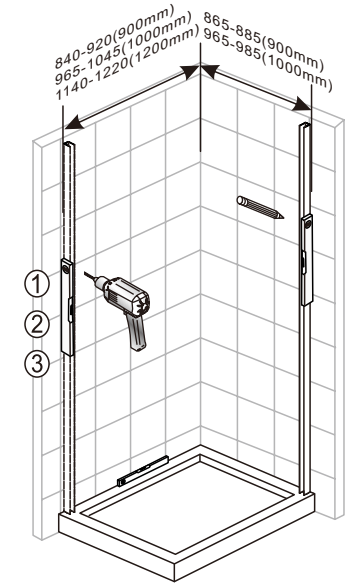
- [7] 1xDoor Panel+Fixed Panel
- [8] 2xWater Deflectors
- [9] 8xScrews M4x35
- [10] 1xCorner Post
- [11] 2xScrews M4x12
- [12] 1xHandle Set

◆ Installation Steps:

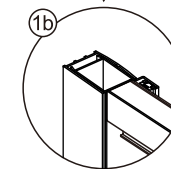
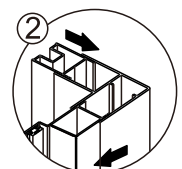
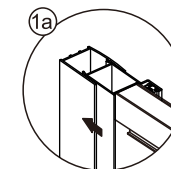
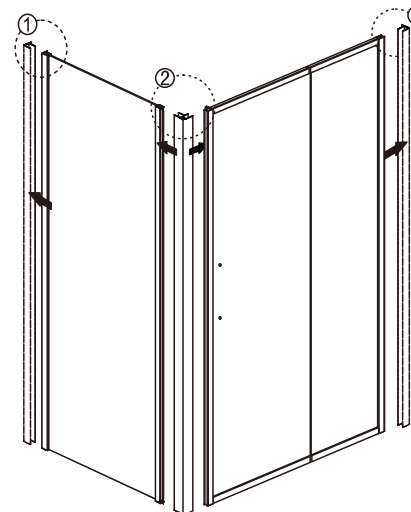
Step 1



Flat Screw
M4x35



Step 2



View from inside