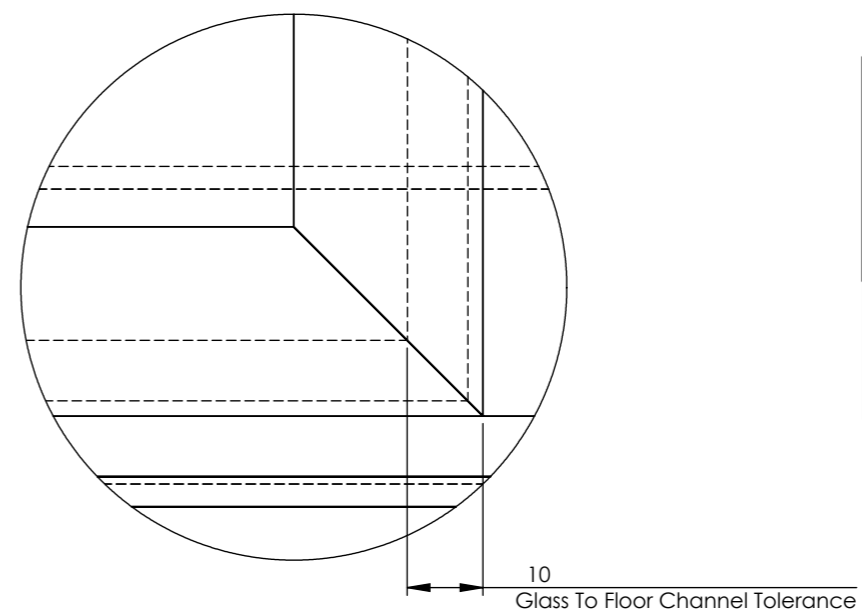


DETAIL A  
SCALE 1 : 1



DETAIL B  
SCALE 1 : 1

