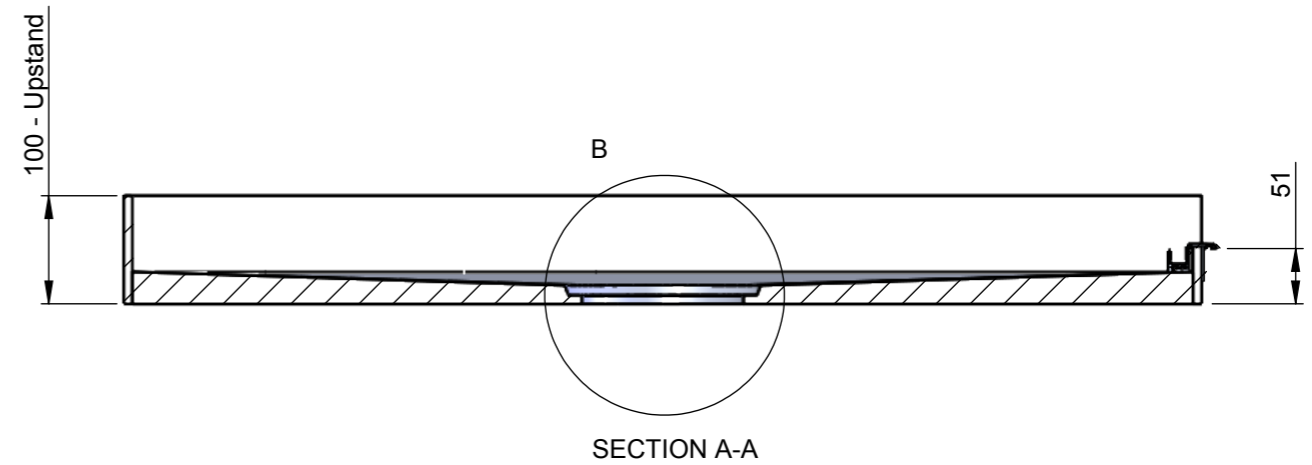


DETAIL B  
FLOOR HOLE CUT SIZE 200mm



SECTION A-A