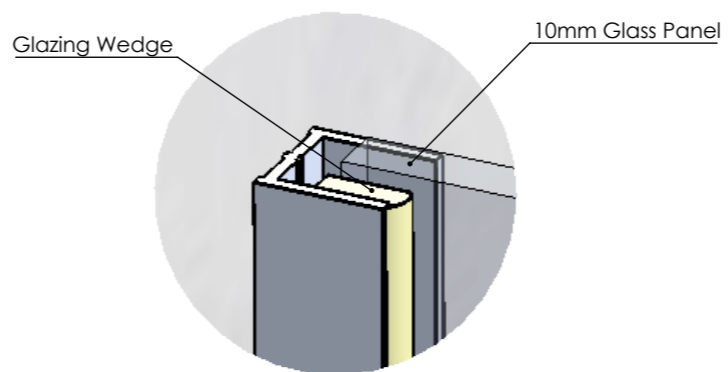


Glass Panel Silicone Detail



DETAIL A
SCALE 1 : 1

I _____ confirm that all dimensions are correct.

Signature: _____