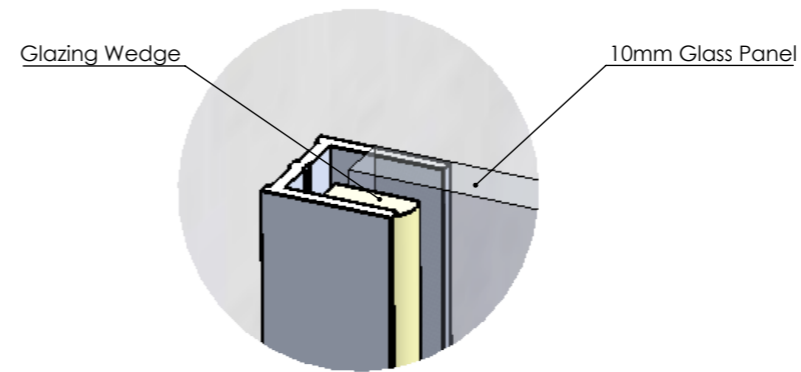


I \_\_\_\_\_ confirm that all dimensions are correct.

Signature: \_\_\_\_\_



SH4412-15C  
DIMENSION SHEET

DIMENSIONS: 1500

Customer Service  
0800 40 40 42  
sales@crestshowers.co.nz