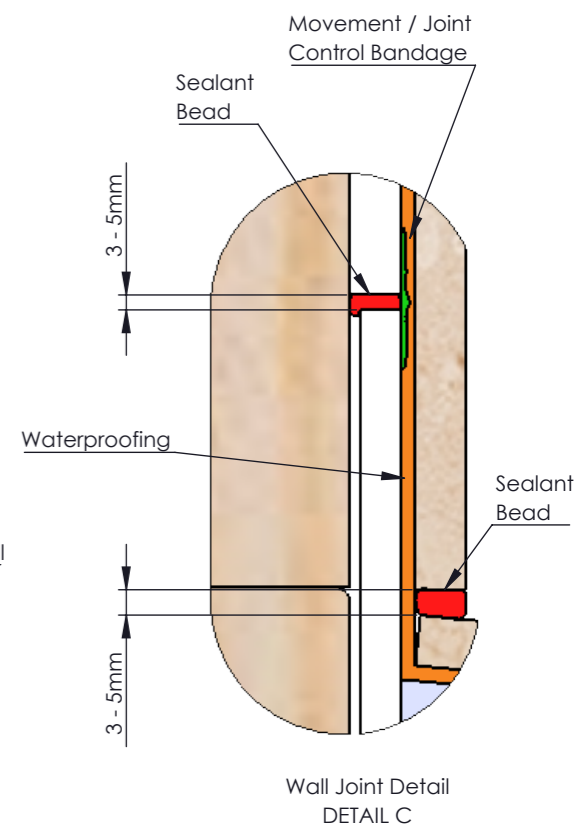
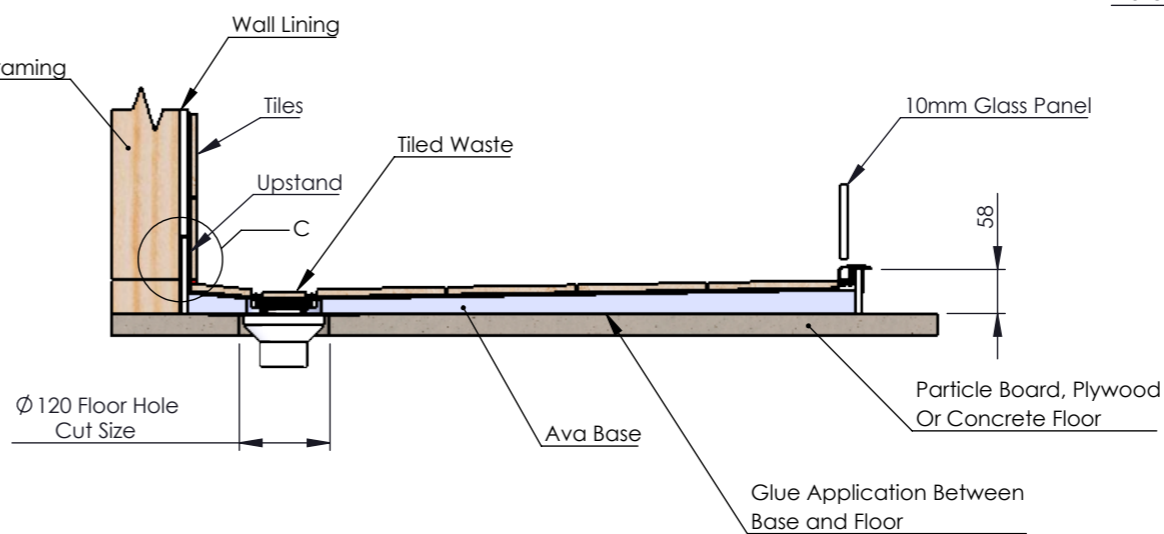
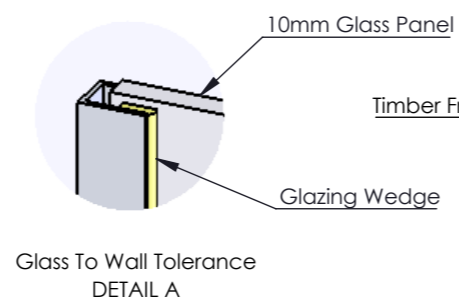


I \_\_\_\_\_ confirm that all dimensions are correct.

Signature: \_\_\_\_\_



crest  
showers

LP436CHW  
DIMENSION SHEET

DIMENSIONS: 1000 x 1500

Customer Service  
0800 40 40 42  
sales@crestshowers.co.nz