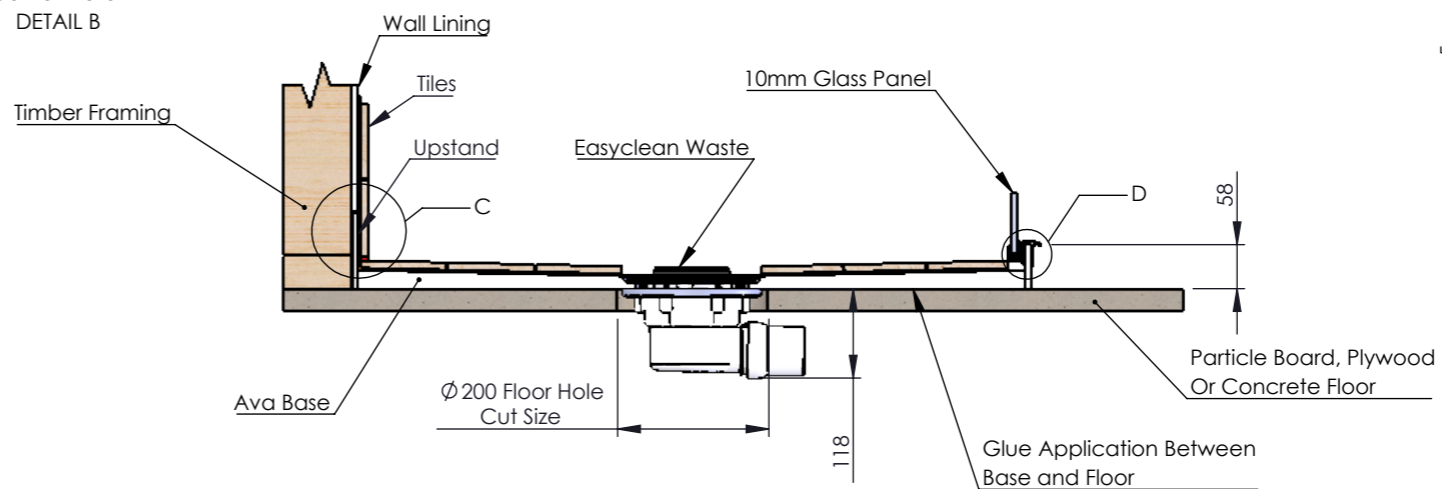
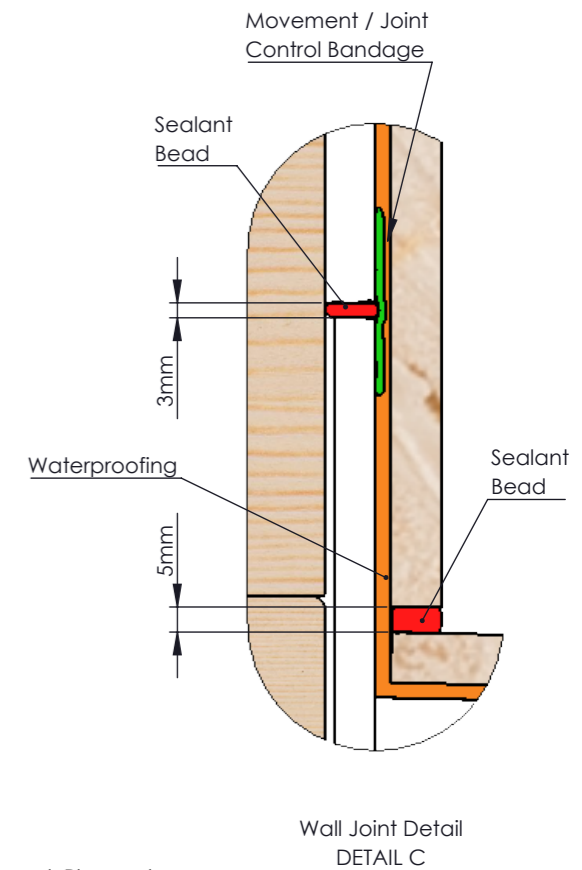
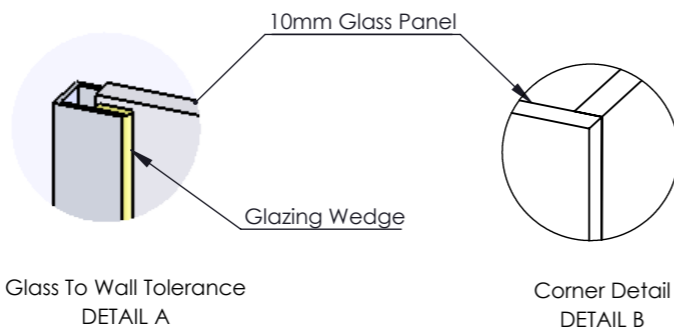
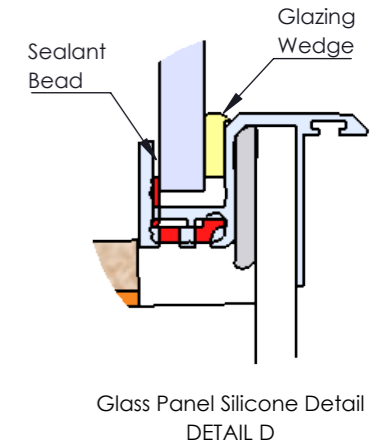
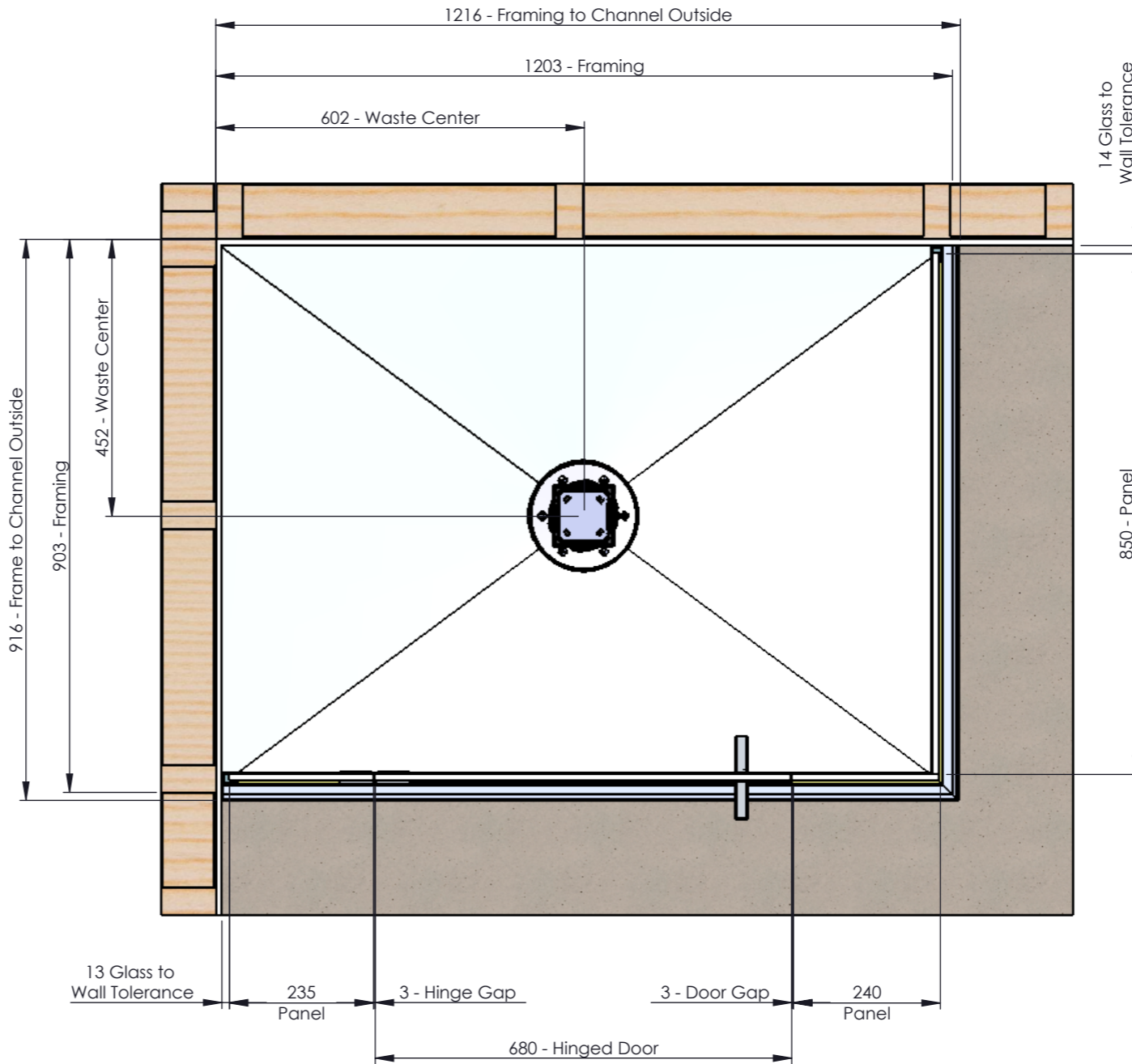


2000
Shower Height



I _____ confirm that all dimensions are correct.

Signature: _____

crest
showers

LP314
DIMENSION SHEET
DIMENSIONS: 900 x 1200

Customer Service
0800 40 40 42
sales@crestshowers.co.nz