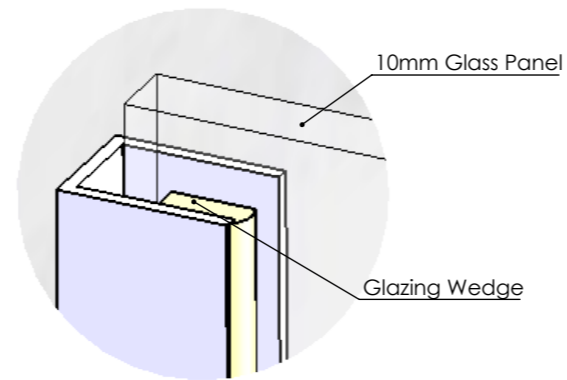
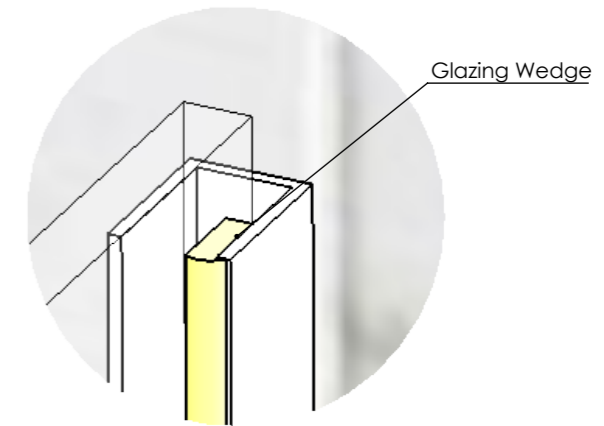


I _____ confirm that all dimensions are correct.

Signature: _____



Glass To Wall Tolerance DETAIL A



Glass To Wall Tolerance DETAIL B