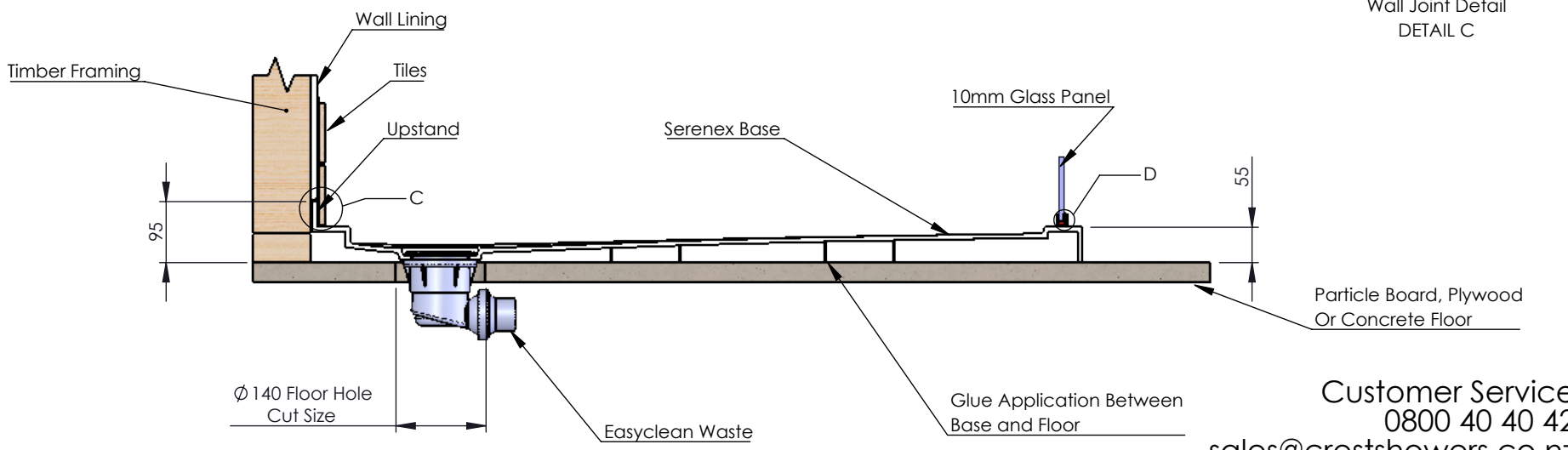
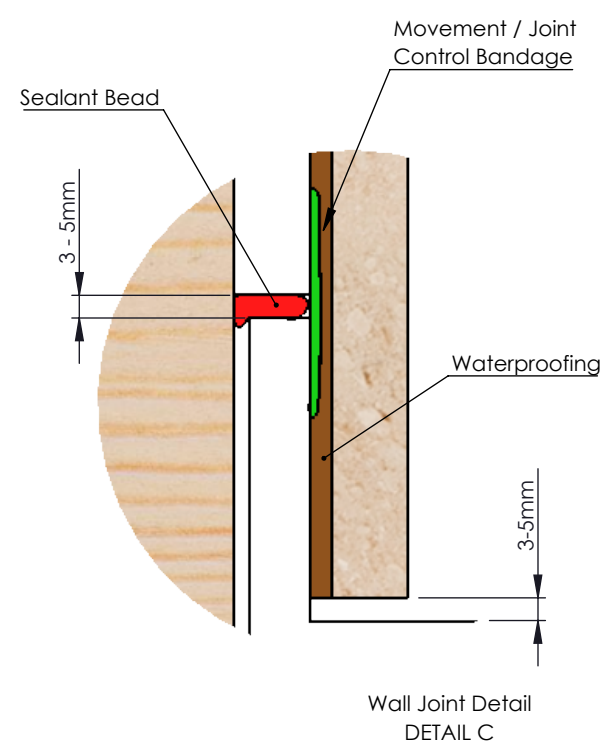
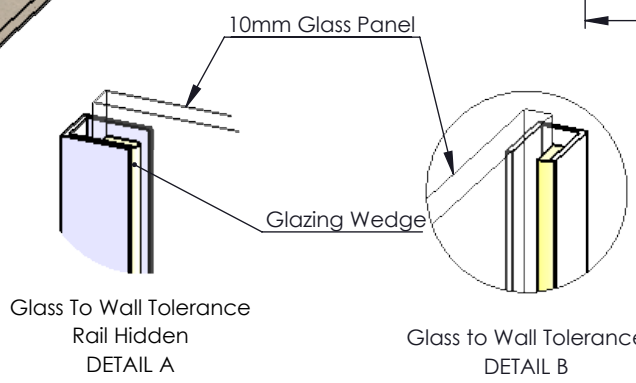
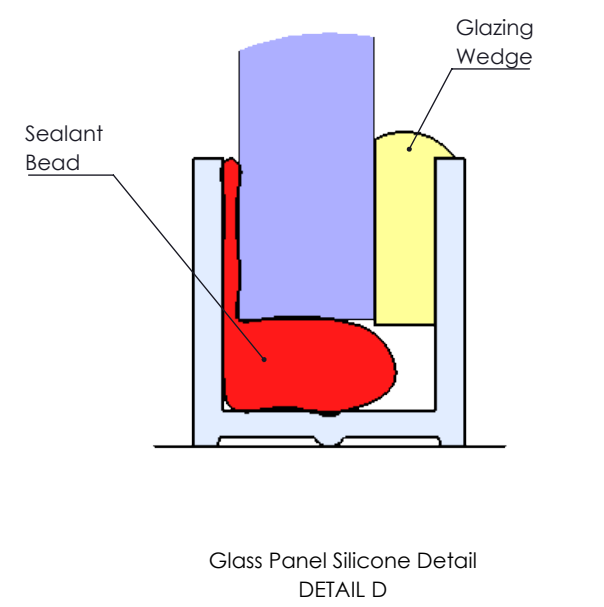
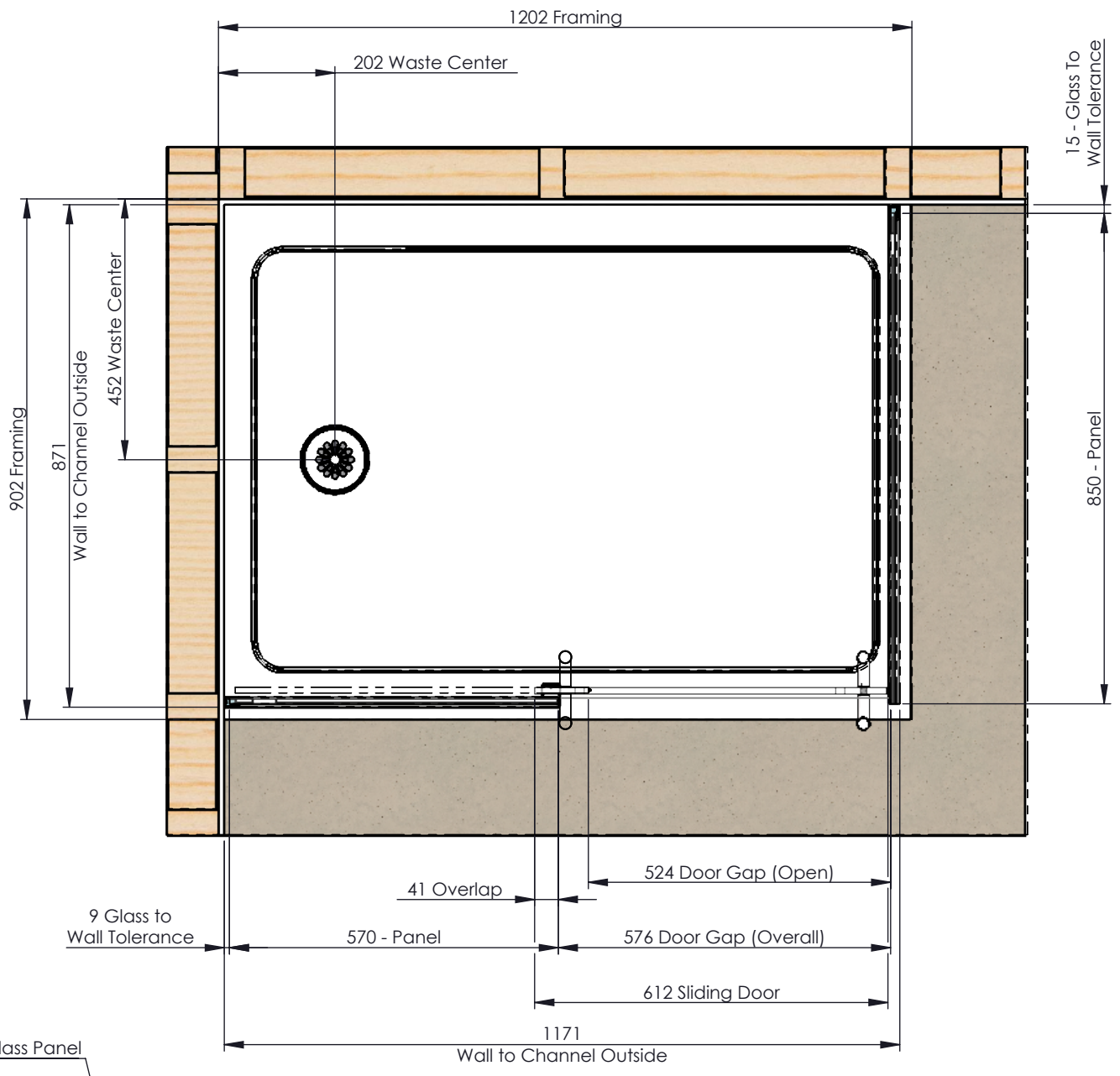


2060 Shower Height



I _____ confirm that all dimensions are correct.

Signature: _____



SX1209SD
DIMENSION SHEET
DIMENSIONS: 900 x 1200

Customer Service
0800 40 40 42
sales@crestshowers.co.nz