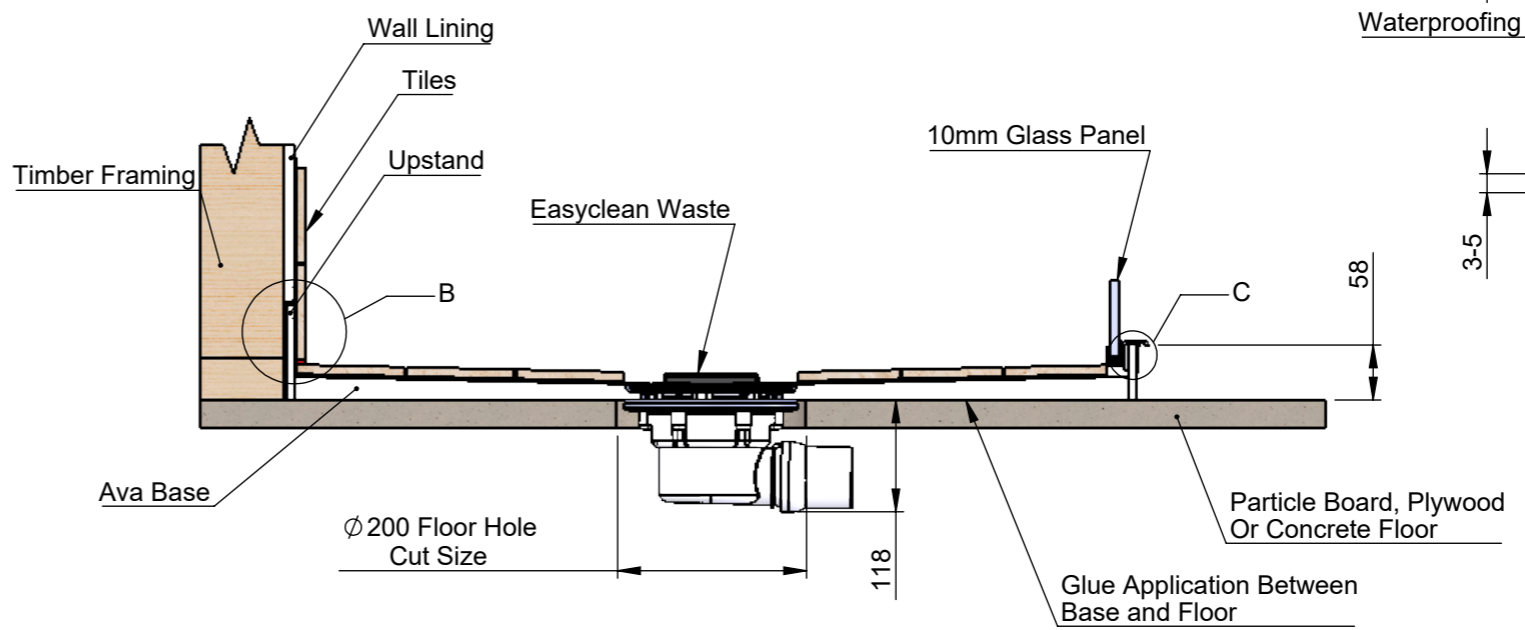


I \_\_\_\_\_ confirm that all dimensions are correct.

Signature: \_\_\_\_\_



LP551  
Dimension Sheet  
DIMENSIONS: 1000 x 1800

Customer Service  
0800 40 40 42  
sales@crestshowers.co.nz