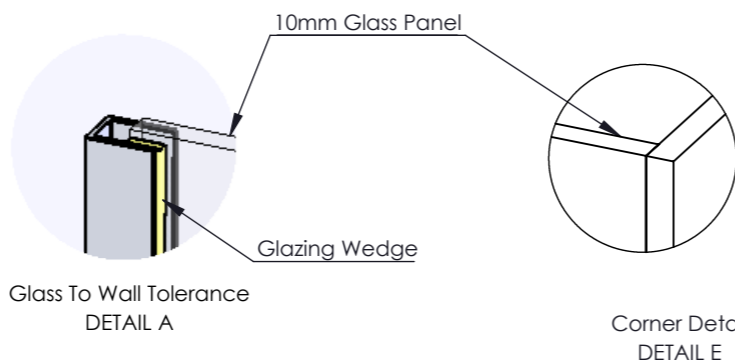


Glass Panel Silicone Detail

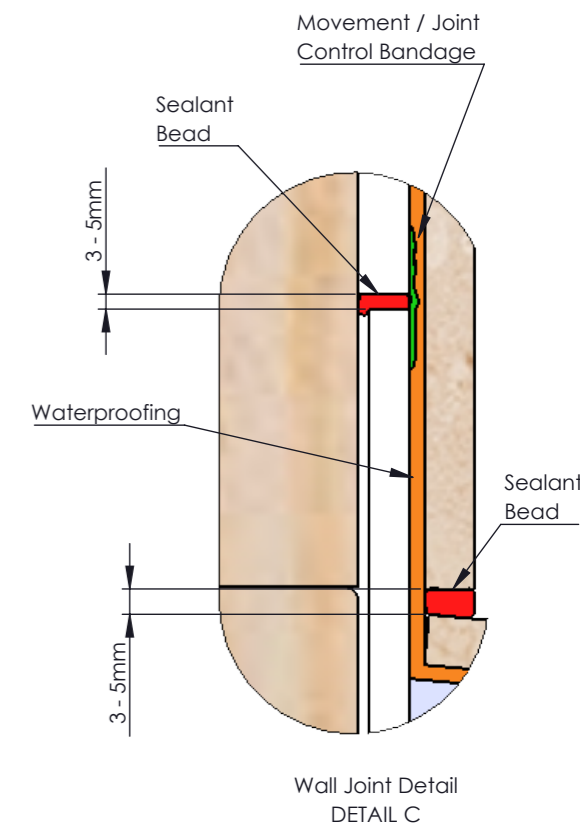
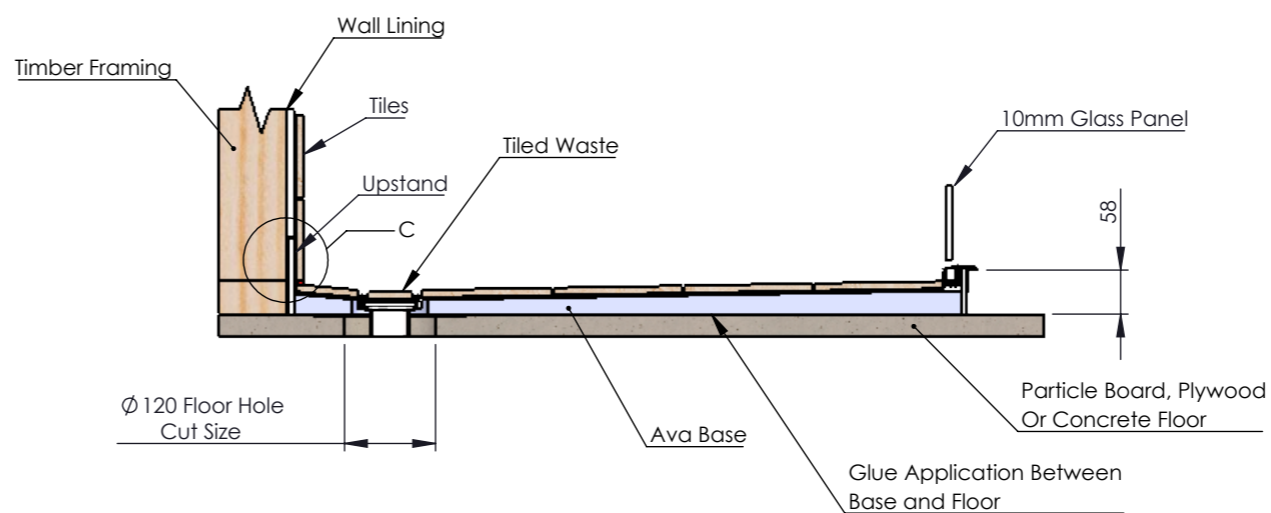


Glass To Wall Tolerance
DETAIL A

Corner Detail
DETAIL E

I _____ confirm that all dimensions are correct.

Signature: _____



Wall Joint Detail
DETAIL C

crest
showers

LP529CHW
DIMENSION SHEET

DIMENSIONS: 1000 x 1800

Customer Service
0800 40 40 42
sales@crestshowers.co.nz