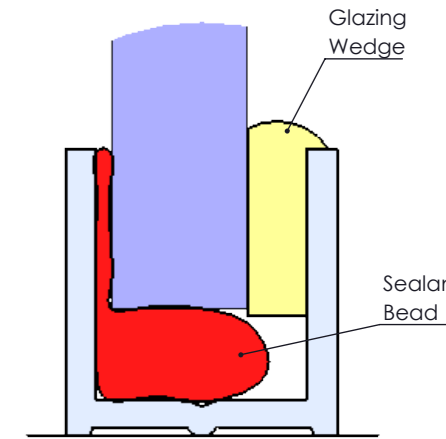
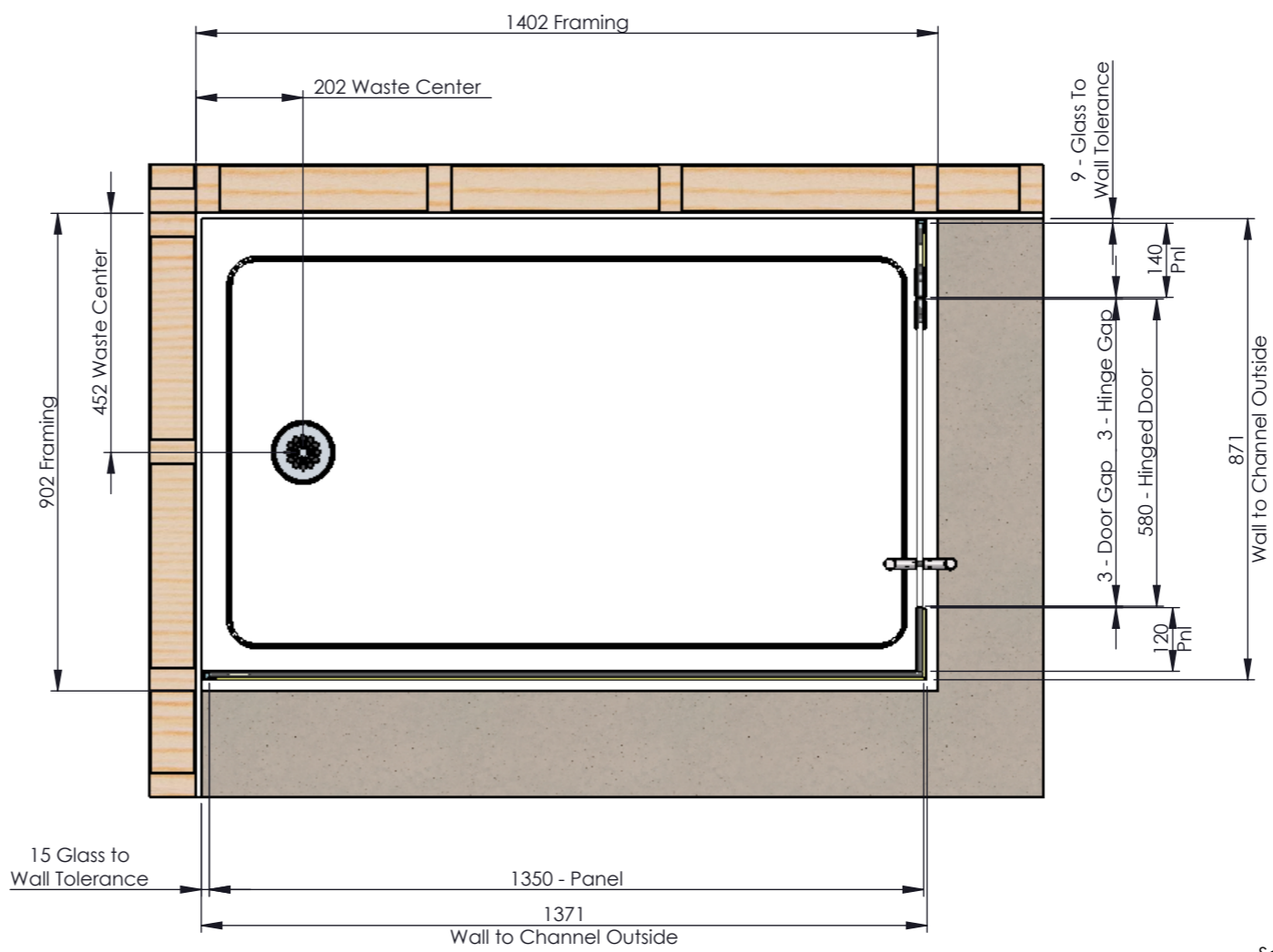
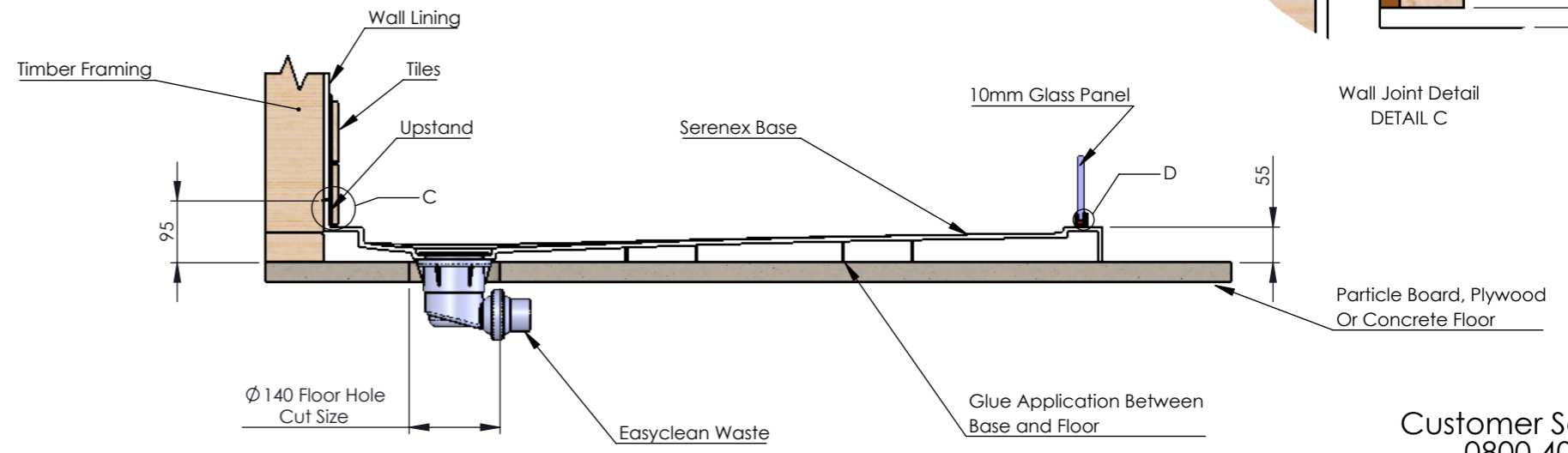
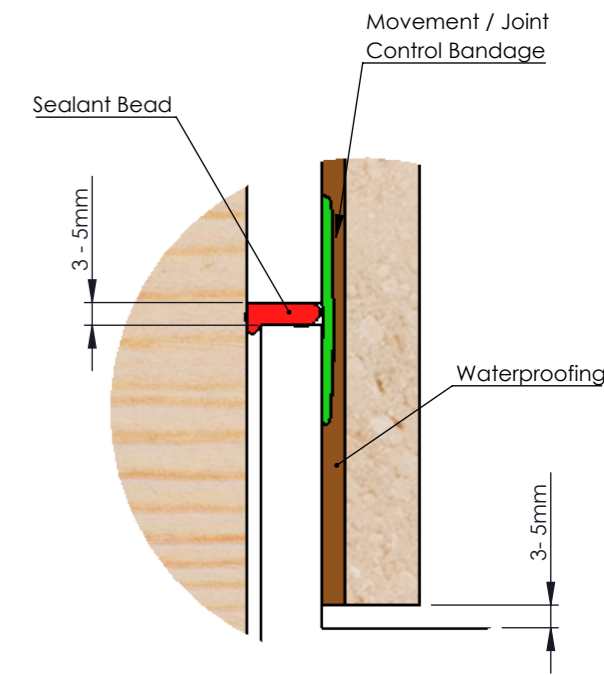
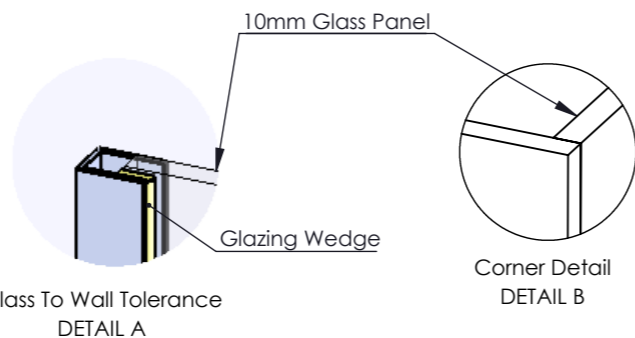


2015 Shower Height



Glass Panel Silicone Detail
DETAIL D



I _____ confirm that all dimensions are correct.

Signature: _____



SX1409DS
DIMENSION SHEET
DIMENSIONS: 900 x 1400

Customer Service
0800 40 40 42
sales@crestshowers.co.nz