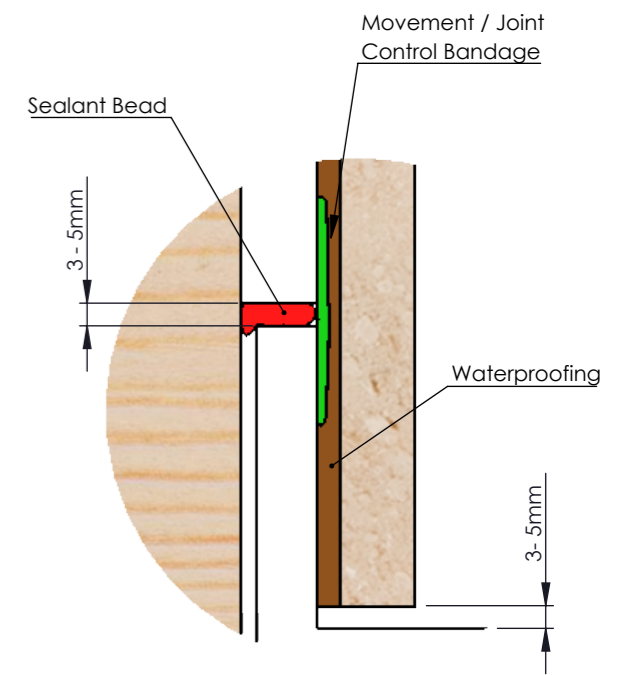
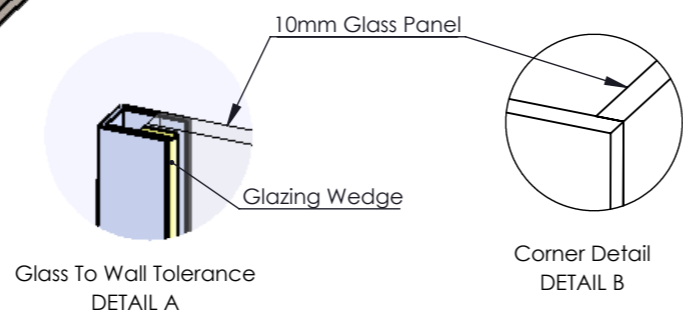
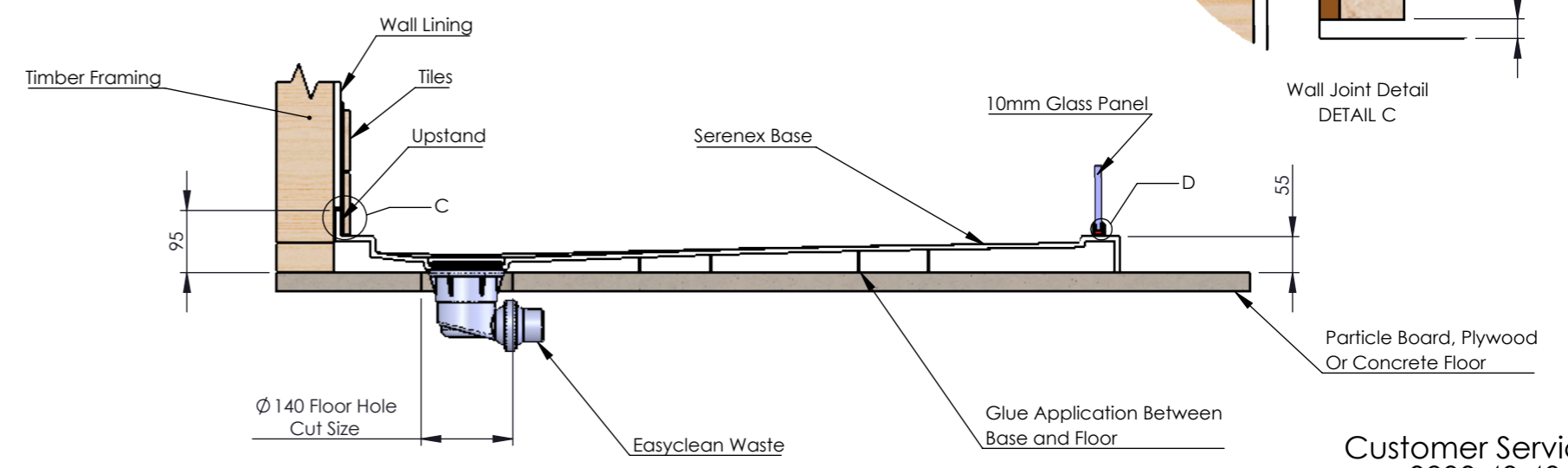


Glass Panel Silicone Detail
DETAIL D



Wall Joint Detail
DETAIL C



I _____ confirm that all dimensions are correct.

Signature: _____



SX1209DS
DIMENSION SHEET
DIMENSIONS: 900 x 1200

Customer Service
0800 40 40 42
sales@crestshowers.co.nz