



sereno frameless
by crest

Fitting Instructions, Care and Maintenance and Warranty

AMENDED JULY 2010

Code SH L

IMPORTANT – Read and understand all instructions before installing shower

Package contents:

- Glass Door with 2 Cut-outs
- Glass Return
- Glass Return with 2 Cut-outs
- Glass Return
- Overhead glass support
- Wall Channels
- Floor Channels
- Clear PVC Door Seal
- Hex Keys
- Hinges
- Silicone spatula
- Setting blocks
- Masking tape
- Set of Handles
- Stainless Steel screws
- Silicone
- Timber Door Packers
- Timber wedges
- Rubber wedge seal
- Channel connectors
- Stabilizer blocks
- Glass shelf
- 3mm drill bit
- 6mm drill bit.

You will need:

- Adhesive Application Gun
- Level (2m and 1m)
- 90° / 45° Square
- Water
- Detergent
- Sprayer
- Drill
- Screwdriver.

General shower information:

- Shower should be installed once tiles or vinyl has been laid
- When installed over vinyl, ensure a 'pencil cove' of no more than 4mm radius is used
- Due to weight of panels etc. 2 people are needed to install shower
- Wall and floor surfaces must have been water-proofed by a Certified Waterproofer prior to tiling
- Walls must be plumb to a 2% tolerance where shower is to be installed
- Floor must be square to wall to a 2% tolerance
- Position of framing must be able to be established
- A double stud is required where panels are to be positioned.

Glass safety:

- Keep glass standing upright
- Always sit glass on a padded surface, i.e. polystyrene
- Keep glass level with ground to prevent hitting corners
- If toughened safety glass hits a hard surface or is hit by a hard object, it may shatter
- It is recommended that safety gloves and glasses are worn during installation.

INSTRUCTIONS

These instructions must be used in conjunction with the relevant dimension sheet.

Marking out

Step 1 Using measurements on dimension sheet, mark out channel positions on floor. All markings and measurements are done inside shower unless stated. Set out floor channels and check door space dimension is correct (A).

Step 2 Use a 2 metre level to check wall for plumb – top and bottom points should be within 2mm of each other.

Installing Channel

Step 3 Mark and drill 2 holes in wall channel lining up with mortar lines where possible (B). The top hole should be within 100mm of top of channel and the second hole within 500mm of top of channel. Remove dust from holes.

*Note: Wall channel butts into top edge of floor channel.
Use channel connector to help align channel. (C)
Do not silicone in until Step 10.*

Step 4 Clean floor and underside of channel with a dry rag. Run a thick bead of silicone along underside of floor channel (D).

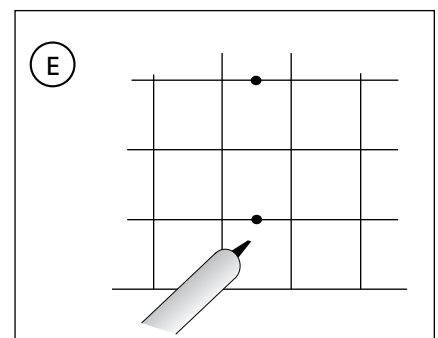
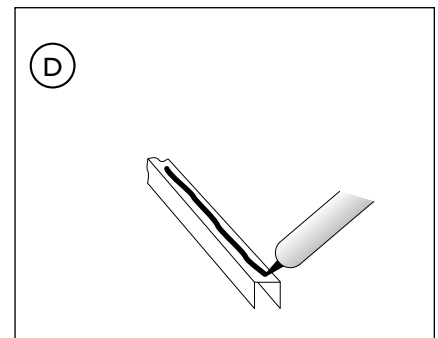
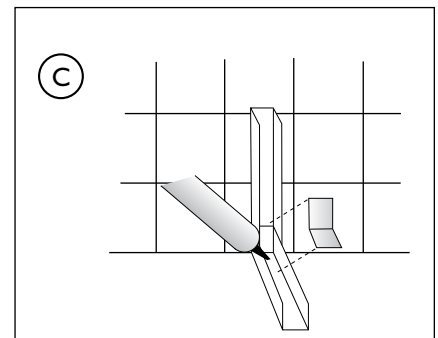
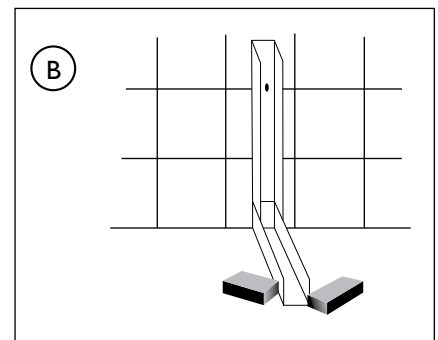
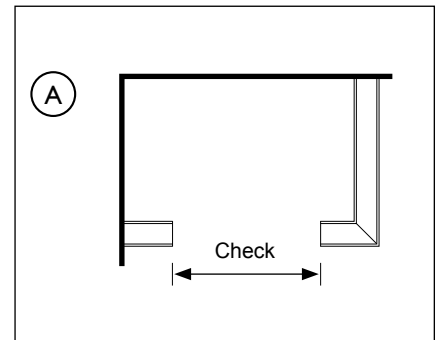
Step 5 Place channel in position and press downwards. Check door space dimension (A). Remove plastic from channel blocks and stick to floor on either side of channel (B).

Important: Check door space is correct with dimension sheet. If not, floor channel can be moved to adjust gap. Floor channel does not require screw fixings.

Step 6 Clean and silicone wall channel as with floor channel (D). Inject silicone into and around screw holes (E). Ensure wall channel is plumb, then screw in place.

Important: Wall channel must be screwed into solid framing.

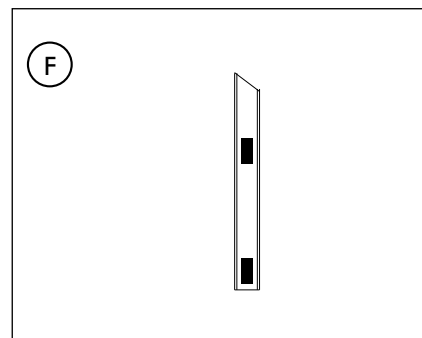
Step 7 See Step 17 for silicone cleanup. If done at this stage ensure inside of channel is kept free from water. Alternatively silicone cleanup can be left till panels are installed – ideally within 60mins of application.



INSTALLING GLASS PANELS

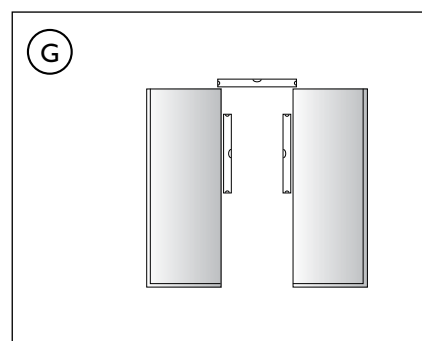
- Step 8 Clean inside of channel with a dry rag. Then place 8mm setting blocks in bottom of floor channel (2 – 3 per panel) **(F)**.

Important: Glass must always be resting on setting blocks - not straight onto channel.



- Step 9 Carefully lift first panel into channel and wedge into position from outside shower. Glass should be touching channel wall on inside of shower. Check panel is level and plumb and add extra setting blocks if necessary to level it **(G)**.

- Step 10 Remove panel, silicone inside 'wall to floor' join and press channel connector firmly into place **(G)**.

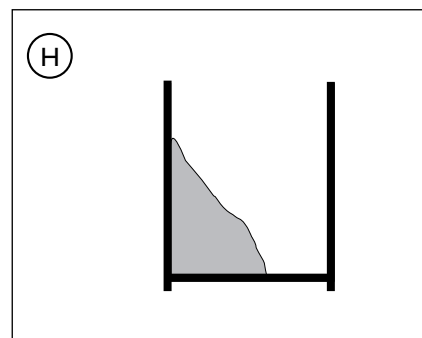


- Step 11 Run a thick line of silicone inside wall and floor channel **(H)**.

- Step 12 Lift panel back into channel from outside shower and use wedges (and/or a flat plastering blade) to push glass panel to inside edge of channel. Insert wedges on outside of panel to hold in position. Ensure panel is still level and plumb **(G)**.

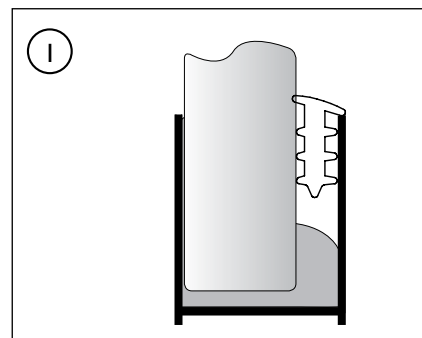
- Step 13 Starting at top of wall channel insert rubber wedge seal into gap, from outside shower, removing timber wedges as you go **(I)**. Leave 20mm at top to cut off later. Joins in rubber wedge must be well siliconed as installed – use a roller or rounded piece of timber or similar to help install rubber wedge.

Important: Rubber wedge must be pressed into channel lightly from top to bottom before pushing right in. This method ensures rubber wedge does not get stretched and then shrink later.

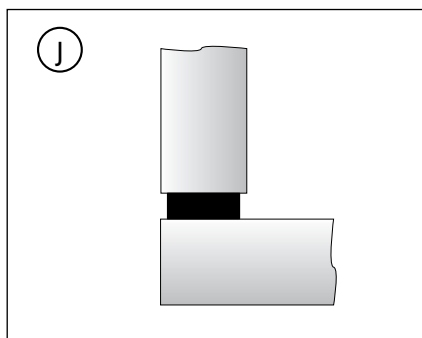


- Step 14 Cut off excess rubber wedge then fill top of channel with silicone.

- Step 15 'Glass to glass' joins only repeat steps 8 – 10 with second panel **(I)**. During step 10 apply a continuous bead of silicone up the edge of the 2nd panel. Carefully put panel back into channel and bring them together leaving a 1mm silicone line between the panels. Hold in place using masking tape and or overhead support. Remove excess silicone with spatula. Do not remove tape until silicone has set.



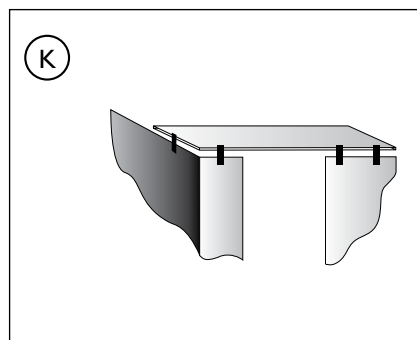
- Step 16 Fasten chrome brackets to overhead glass brace and sit in place above door. When panels are aligned correctly tighten grub screws **(K)**.



- Step 17 Apply more silicone if necessary. Spray channel/glass with soapy water then use spatula provided to clean off excess silicone. Repeat this process 2 or 3 times then wipe off water with lint free cloth.

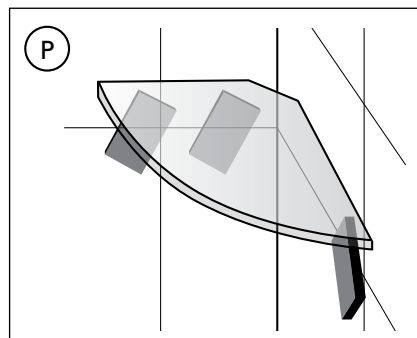
Professional Hint:

Always use spatula when finishing silicone joints. Using a bare finger will promote mould growth. Remember – an otherwise quality job is often spoiled by careless silicing.



- Step 18 Check for level and plumb – ensure door gaps are correct. If needed, rubber wedge seal can be loosened and panels adjusted. (Silicone must be reapplied from inside shower as shifting panels will weaken bond).

- Step 19 Refer to attached dimension sheet for position of shower shelf. Place 3 stabilizer blocks at 1000mm above floor surface as shown in diagram P. Put a thin bead of silicone down both edges of shelf, place on stabilizer blocks and gently push into corner. During commissioning inject more silicone if necessary and clean up (see Step 17).

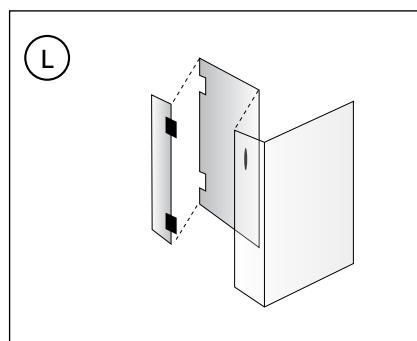


Installing door — if applicable

- Step 20 Shower must be left minimum of 2 days before installing door to allow silicone to cure.

- Assemble door handle – do not over tighten.
- Fasten hinges to return panel and place in closed position. Hex screws should face into shower and pivot point of hinge should be on door panel.
- From inside of shower, lift door panel onto packers and fasten to hinges. Fully tighten all hex screws.

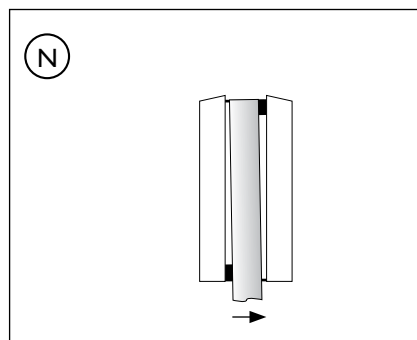
Proceed with Steps 21 – 23.



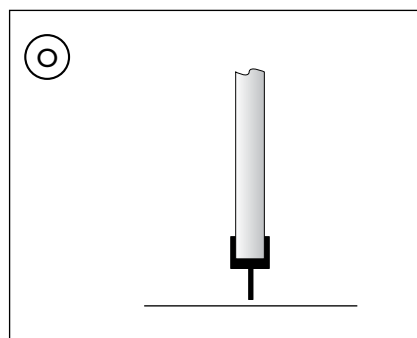
Commissioning

Note: Door may sag at top up to 1.5mm after door packers are removed.

- Step 21 Remove packers from underneath door. Open and close door a few times and check the following:
- Hinges are quiet – if not, open door half way, loosen hex screws slightly then re-tighten hinges.
 - Top of door closes in line with return panel – if not, put packers underneath door and adjust hinges.
 - Door springs close to line up with return panel – if not, adjust hinges N. Top and bottom hinges must be treated the same.
 - Top of door is level with return panel.



- Step 22 Slide polyvinyl drip seal onto bottom of door. Seal should just miss finished floor when door is shut. If gap between door and floor is too large, seal can be lowered up to 6mm. Seal fin can be trimmed down if necessary O.



- Step 23 Clean glass and ensure no silicone residue remains on glass, channel or surrounding area. Remove pencil marks on flooring.

CARE AND MAINTENANCE

You can keep your Sereno Frameless shower looking its very best by following a few simple guidelines:

- Clean shower twice weekly using a mild detergent in warm water and a soft lint free cloth. Ensure aluminium channels, hinges and handle are properly cleaned.
- A quick wipe down with Shower Squeegee after each use will become a matter of habit rather than a chore and will prohibit water staining the glass.
- Do not use abrasive cleaners or high strength chemicals on your shower.

WARRANTY

Crest Shower Systems stands unreservedly behind the Sereno Frameless Shower system.

All glass is manufactured to meet AS/NZS2208 1996 Grade A Safety Glass. Crest Shower Systems Warrants that the Sereno Frameless Shower system will be free from manufacturing defects for a period of 10 years from the date of sale. Crest Shower Systems will supply replacement parts or product at its discretion, free of charge where product is covered by this warranty and proof of defect has been received within 2 months of first appearance. To keep warranty valid the above care and maintenance instructions must be adhered to and purchase details form below must be correctly filled out at time of purchase. Warranty is non-transferable.

Warranty does not apply to the following situations:

- Shower has not been installed by a certified installer
- Shower has been improperly installed
- Supplied instructions were not adhered to during installation
Note. Discretion must have been used at all times by installer as each situation may vary
- Shower has been misused or damaged.

Warranty claims should be posted to:

Crest Shower Systems
PO Box 289
Oamaru
New Zealand

ATTENTION INSTALLER: Remove this page, fill out details and tape to shower glass.

WARNING

**This Sereno Frameless Shower
has just been installed.**

**PLEASE DO NOT WORK IN OR
AROUND THE SHOWER UNTIL**

.....
Any queries feel free to ring me on

.....
**Regards,
Your Shower Installer**



Freephone. 0800 4040 42
email. sales@crestshowers.co.nz
www.crestshowers.co.nz