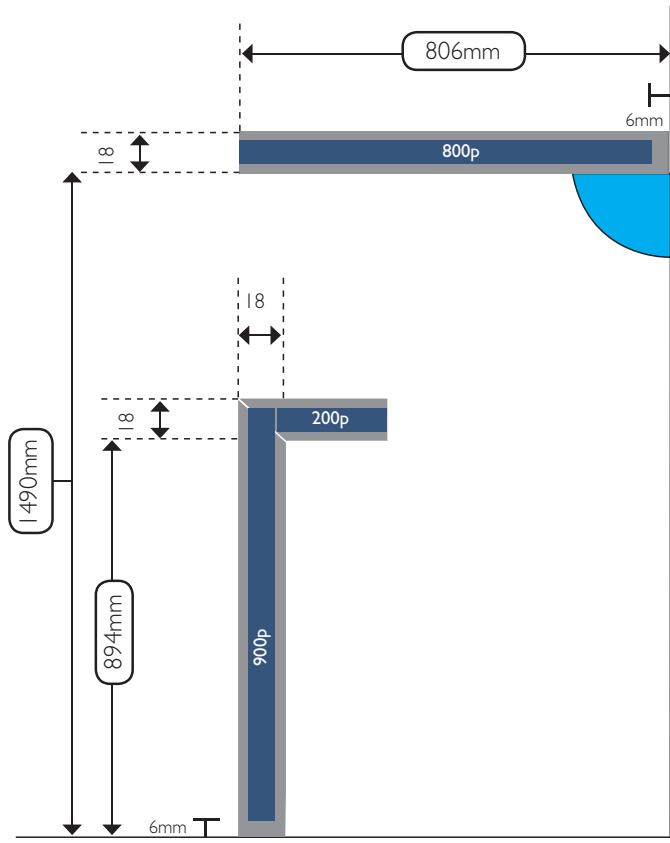


SH401-2

Overall dimensions below are from finished wall surface to inside edge of channel.

The overall shower height is 1960mm high from finished floor surface.



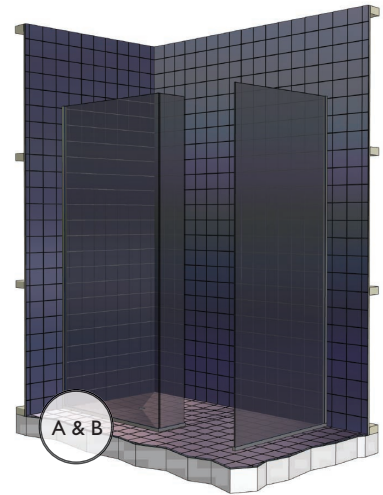
Key

- Channel
- Shower Shelf
- Support Brackets
- Glass Panel
- Overhead Support

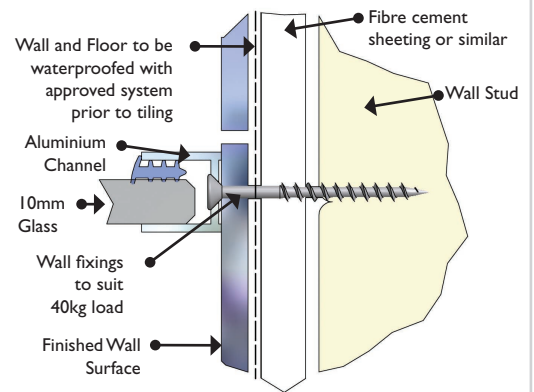
Tile Dimensions

It is recommended that wall tiles are laid 50mm wider and higher than overall shower dimensions.

This dimension sheet must be used in conjunction with the relevant Sereno Frameless installation instructions. The specifier/purchaser must ensure compliance with local council regulations. The manufacturer reserves the right to alter specifications/product from that shown.



A) Wall Channel



B) Floor Channel

